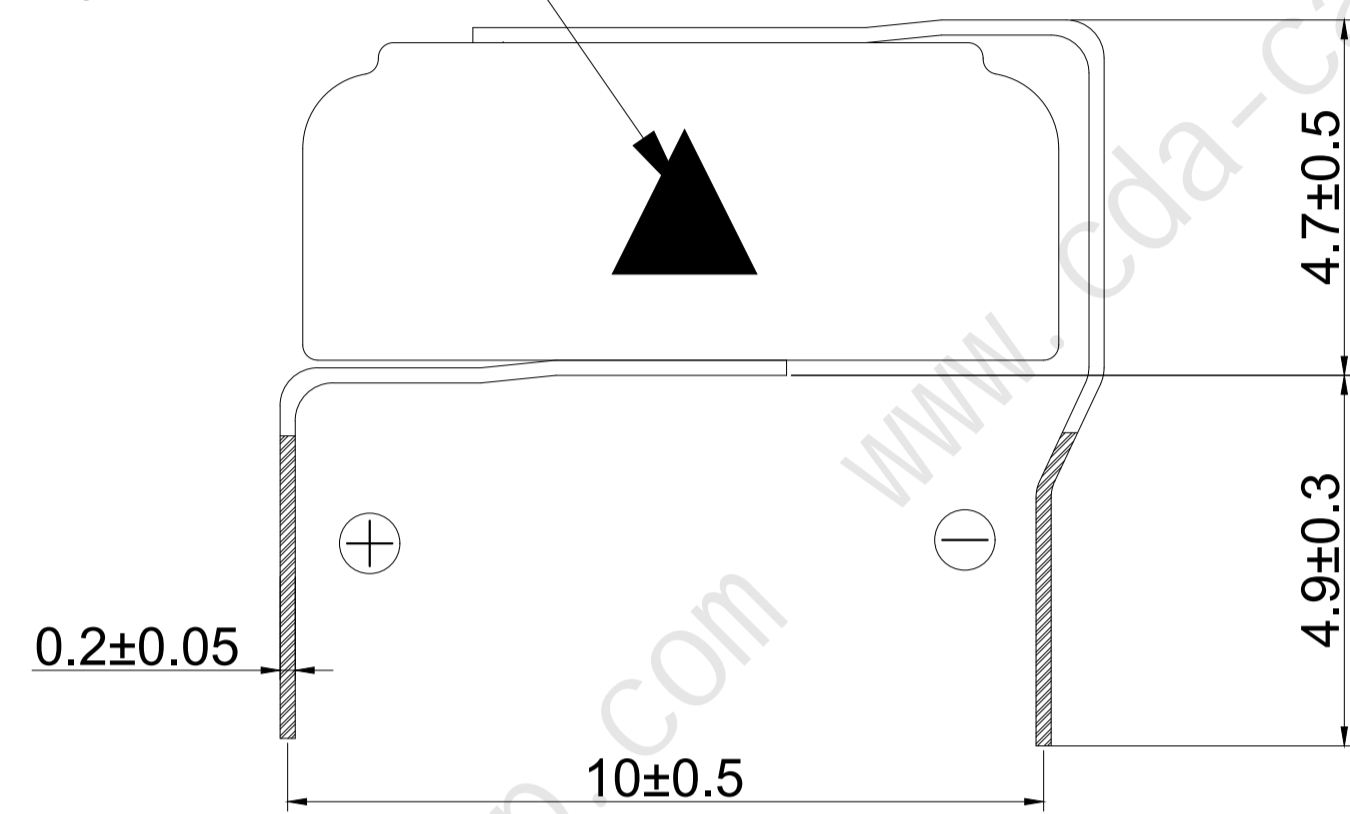
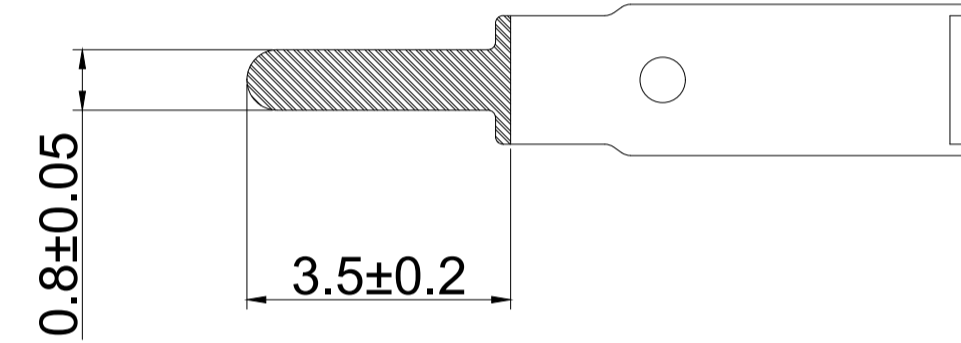
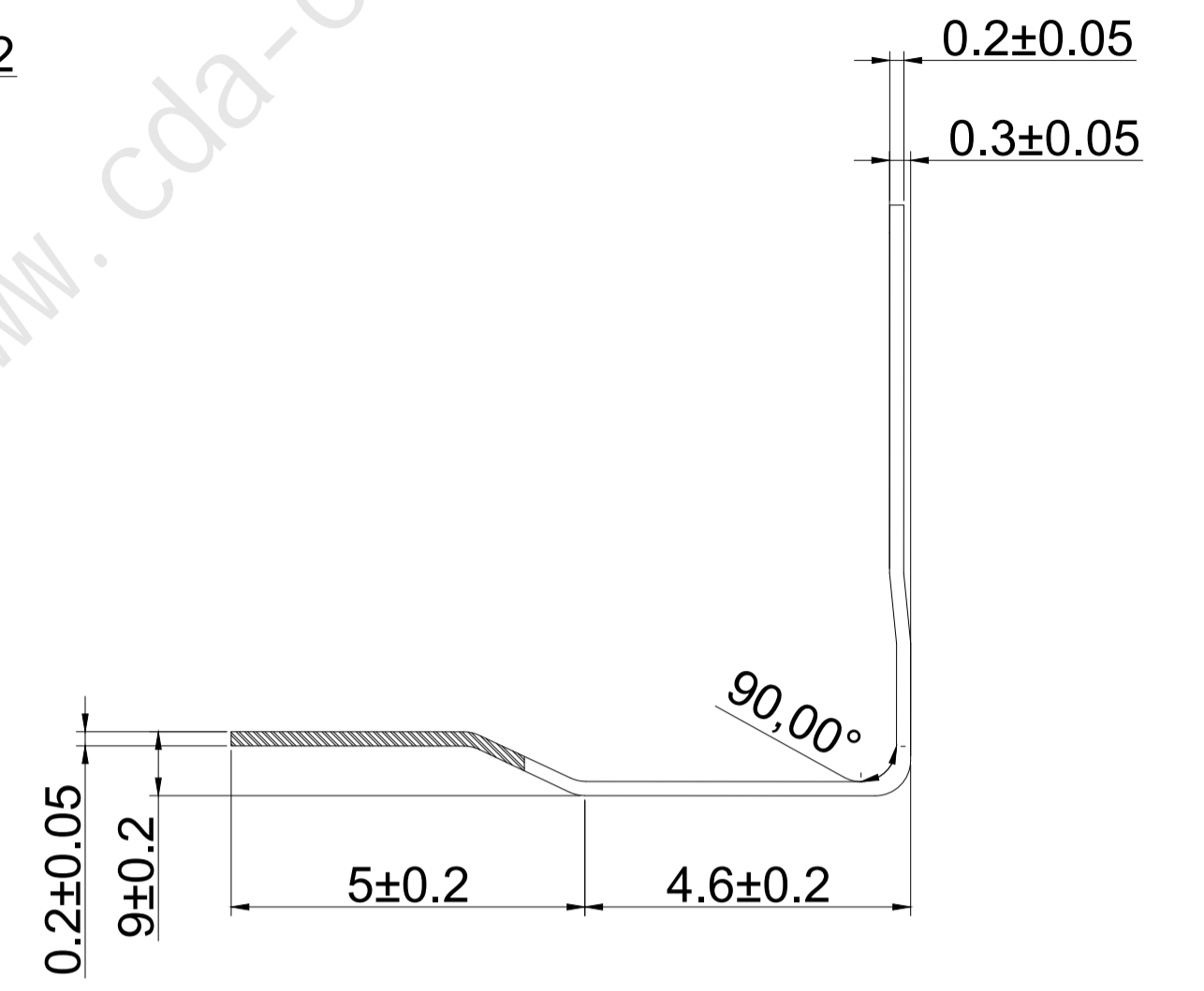
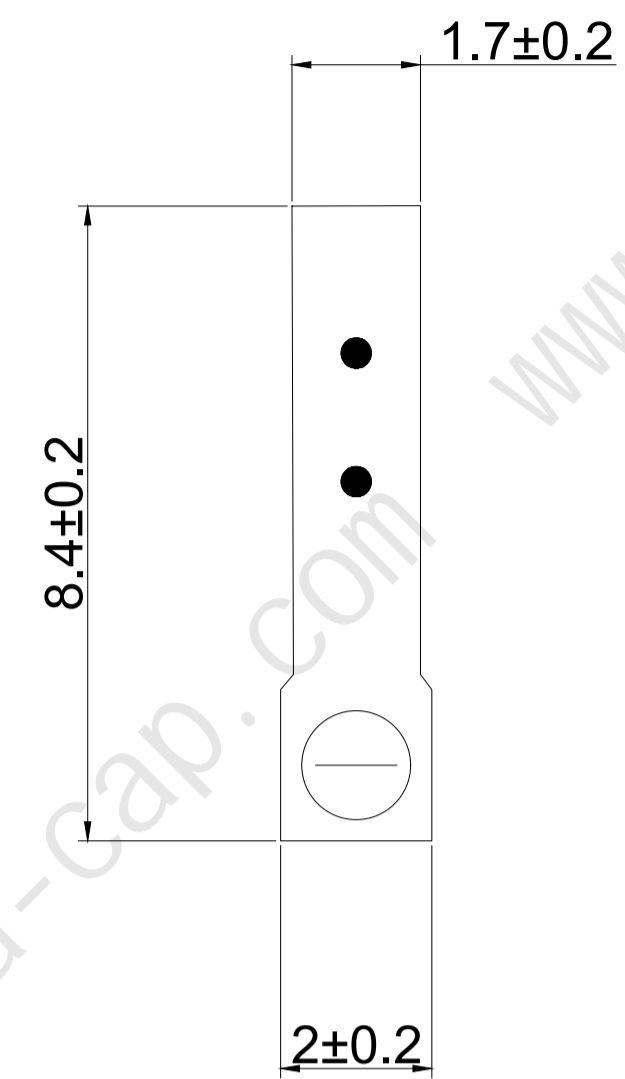
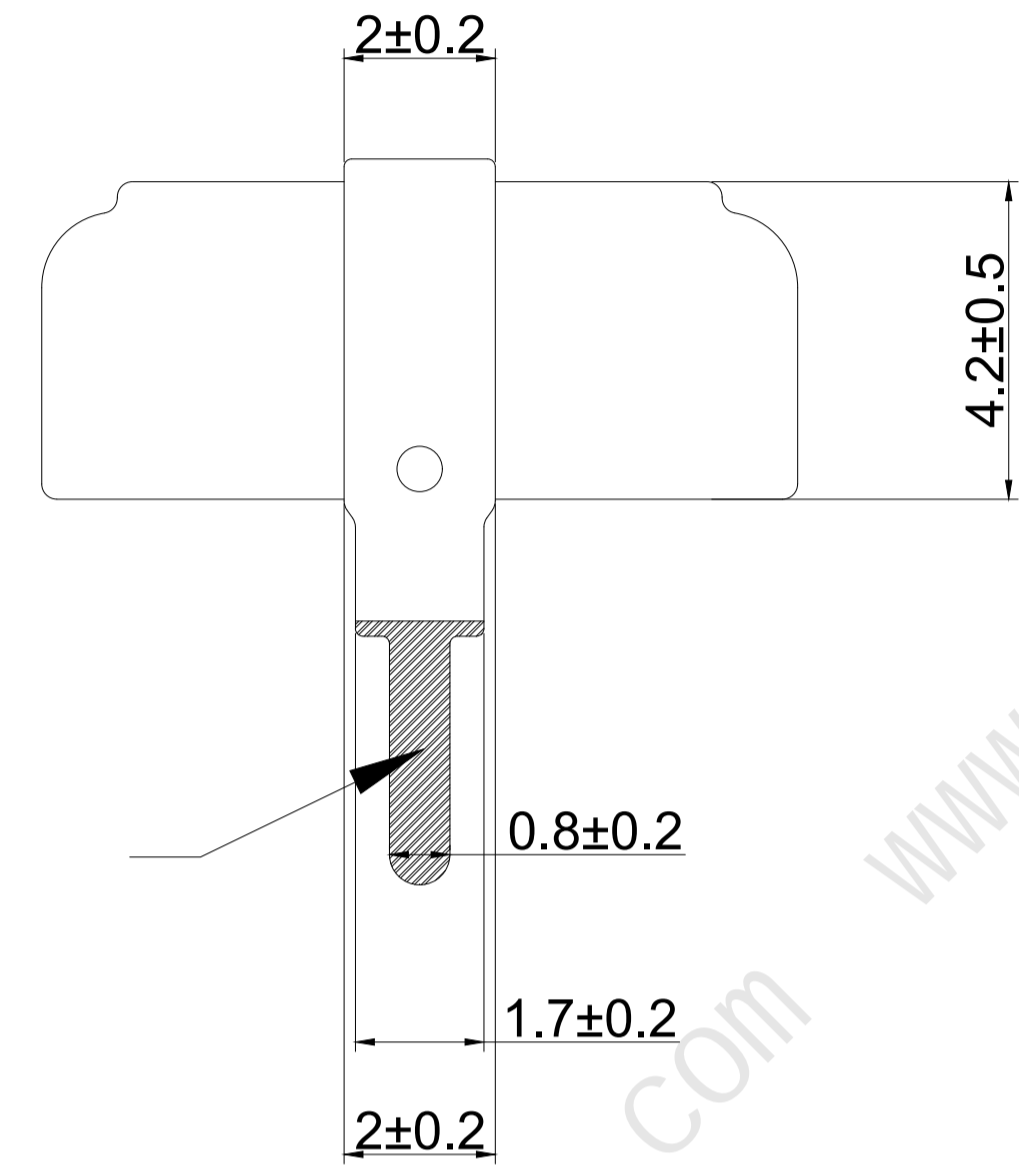


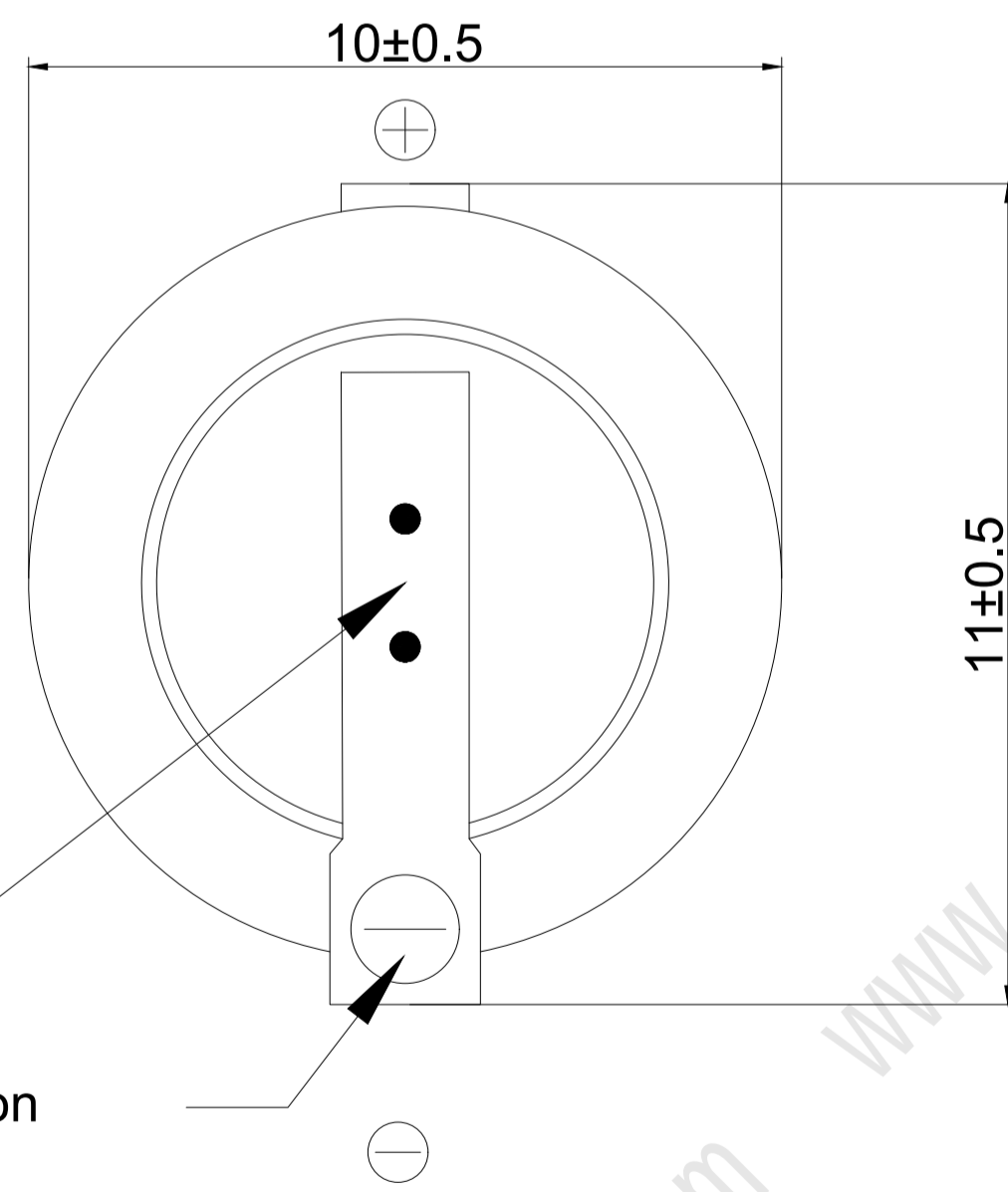
Negative pole mark: "Δ"
The triangle points in the direction of the negative pole.



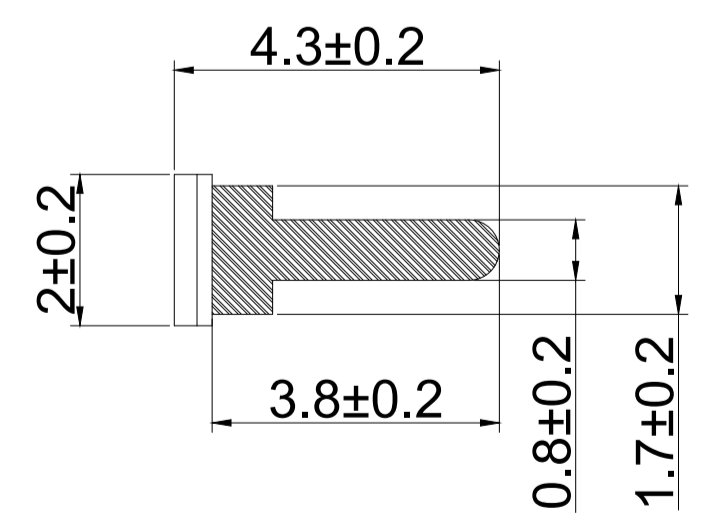
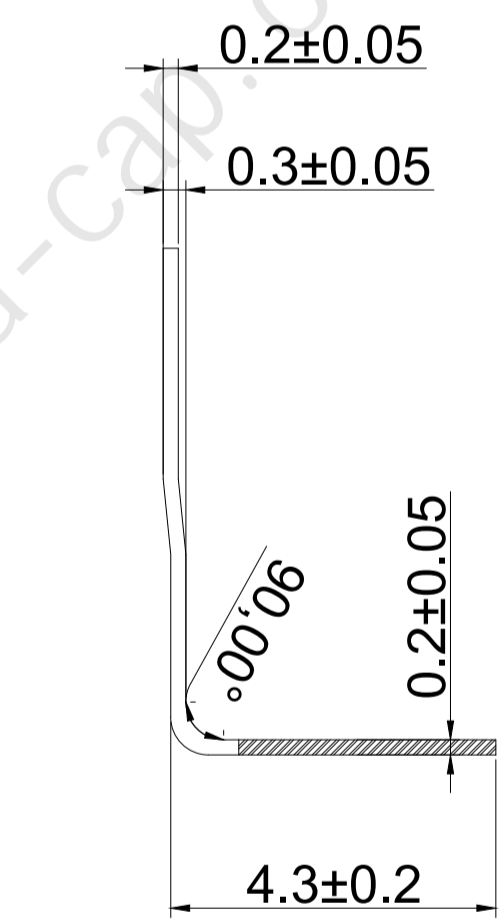
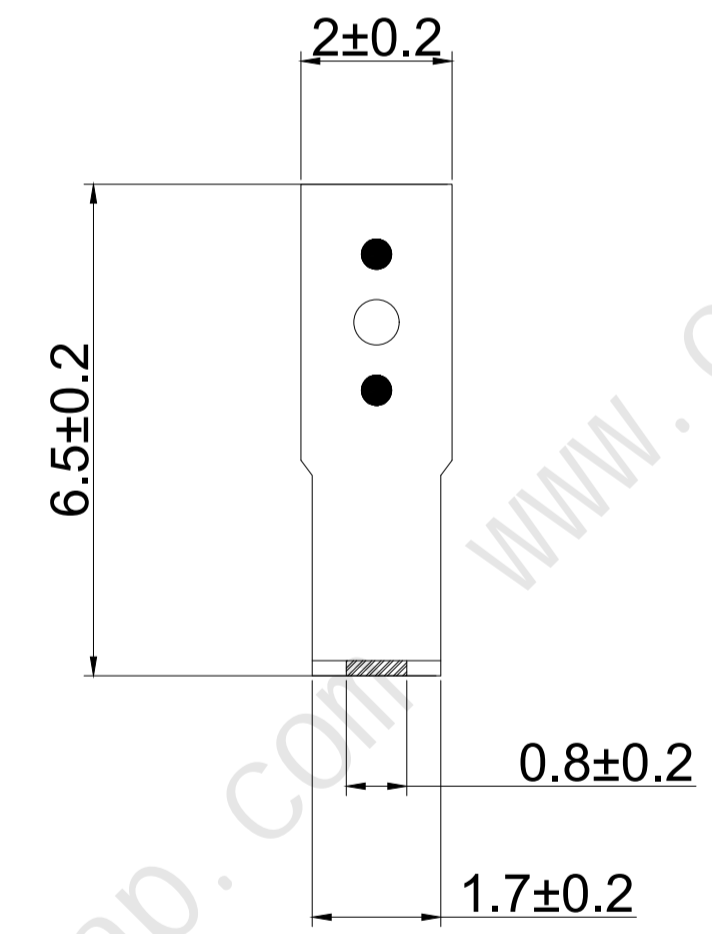
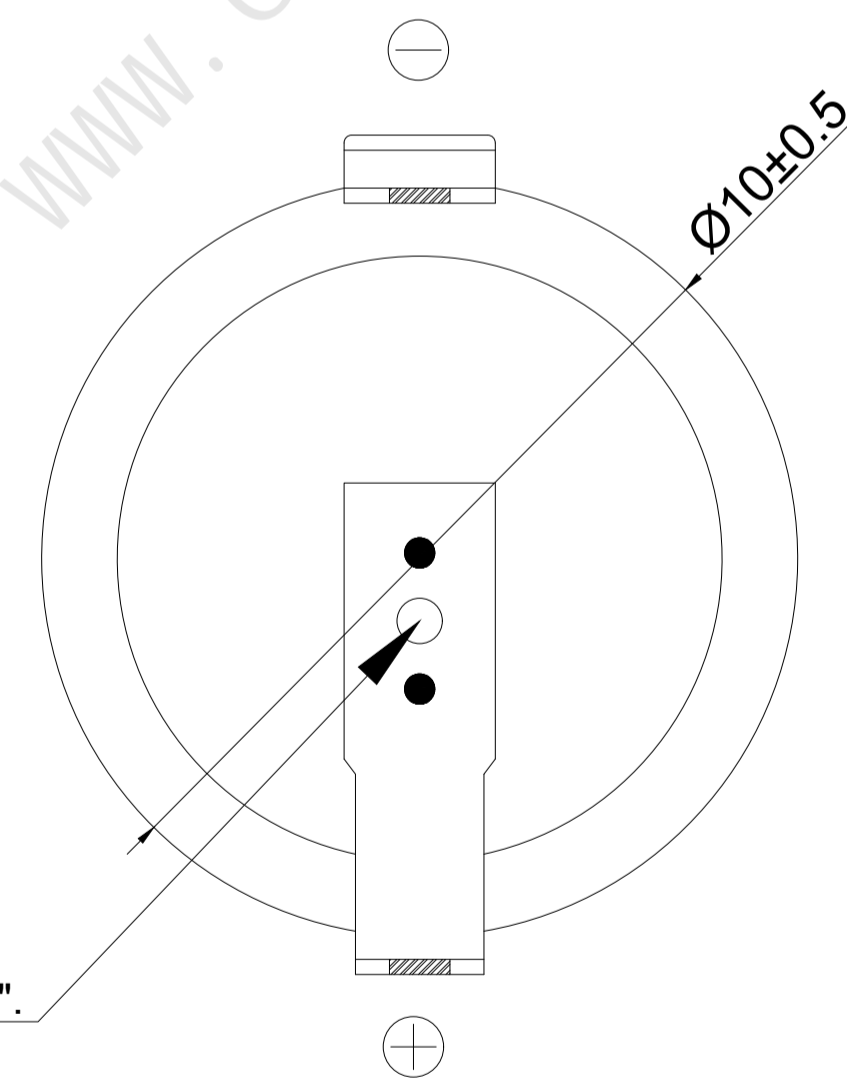
Tin Plating



Negative pin side "-".
Negative pin identification



Positive pin side "+".



Itemref	H-6	Coin series (10mm) H-type size chart	Filename	Date	Scale
Designed by	XXX	Drawing No. CDA-230M11	Approved by - date	23/10/23	1:10
CDA-CAP		Taiwan Zhifengwei Technology Co., Ltd.			
		CDA-230M11/H-6		Edition 0	Sheet 1/1